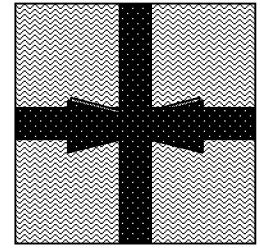


wrapping presents Finished block 12" Square (Unfinished 12-1/2" x 12-1/2") Due November 15, 2010
 Designed by Victoria Norman

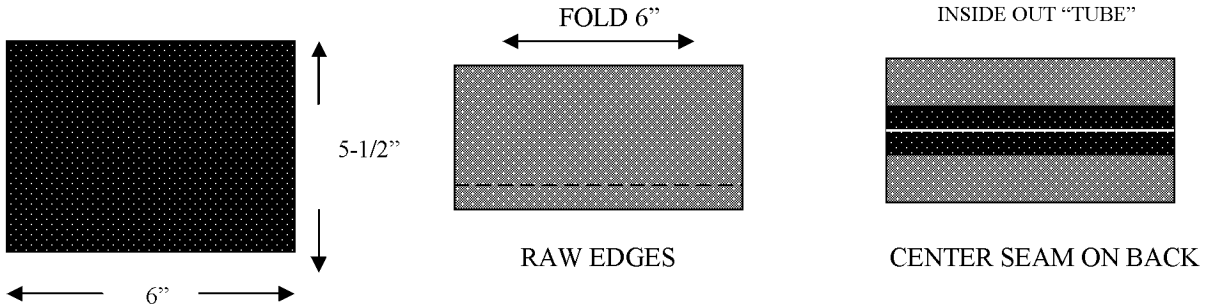
Questions, contact Elaine Ericksen 708-895-1851 or
 Nikki Knowles 219-764-0199

Fabric - Christmas fabric - Cut (4) 5 3/4" X 5 3/4" squares
 Coordinating Bow fabric - Cut (2) 5 1/2" X 6" rectangles
 Ribbon fabric cut (4) 2" X 5 3/4" strips and from
 Bow Center Fabric cut (1) 2" x 2" Square



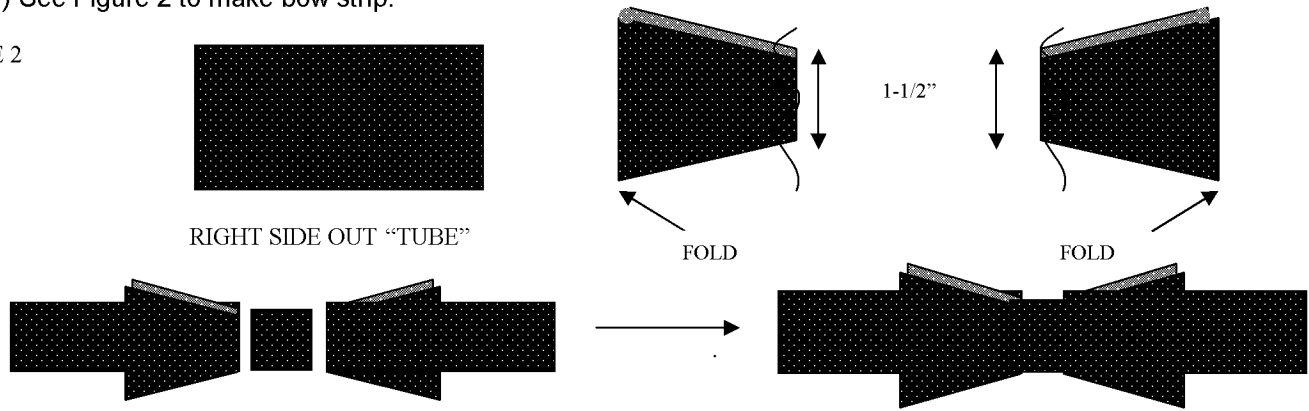
Referring to Figure 1 to make the bow, fold each rectangle piece in half with right sides together along the 6" width and sew to form a tube. Press seam open. Turn the tubes right side out, center seam on the back, and press.

FIGURE 1



Using large basting stitch, sew across the ends of the tubes. (You may want to fold the piece in half first and baste both raw edges at the same time to reduce bulk). Gather to 1 1/2" width and fold the tube in half (if not already done). With raw edges aligned, center and pin to the 2" side of the 5 3/4" strip. Baste in place. In the same manner, and using matching fabrics, prepare the second half of the bow. Sew matching bow halves to opposite sides of 2" square (bow center) See Figure 2 to make bow strip.

FIGURE 2



Referring to Figure 3

Sew four matching 5 3/4" squares to ribbon strips, matching bow strips together to make the gift block. Note: Take care to keep the bow from being stitched into the block seams.

FIGURE 3

